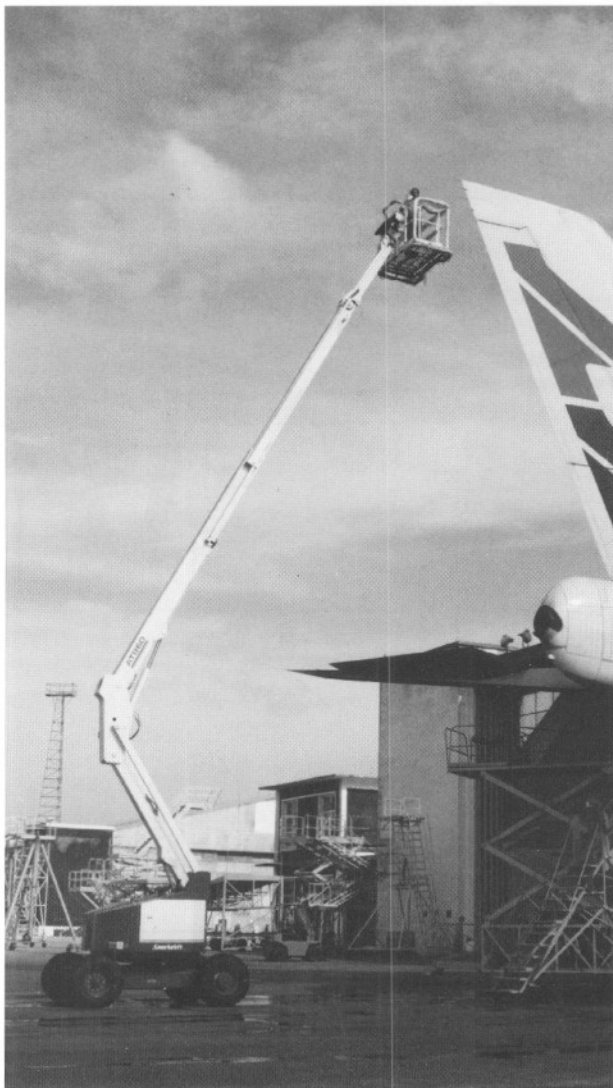


# Snorkel

## ATB 60

Reach up, over, out and down with this versatile articulating, telescoping boom with 6' articulating jib.



## S P E C I F I C A T I O N S

Working Height	66'	20.1 m
Platform		
Height	60'	18.3 m
Capacity	500 lbs.	227 kg
Size	60" x 30"	152 x 76 cm
Construction	Steel	
Boom Construction		
Riser and Main Booms	Steel	
Telescoping & Jib Booms	Steel/Aluminum*	
Boom Extension	Double acting hydraulic cylinder	
Boom Guides	Lubrication free, ultra high molecular weight polyethylene	
Pivot Pin Bearings	Lubrication free, composite material	
Horizontal Reach	43' 1"	13.1 m
	at 19' 3"	at 5.9m
Hose & Wiring Extension	Telescoping housing attached to sides of booms	
Turntable Rotation	360° continuous	
Power Source	Gas (LP or Dual Fuel optional) or Diesel Engine	
Fuel Capacity	40 US gal.	151.4 L
Hydraulic System Capacity	35 US gal.	132.5 L
Maximum Drive Speeds		
High (Booms Stowed only)	3.5 mph	5.6 kph
Mid (Booms Stowed only)	1.9 mph	3.1 kph
Low	.75mph	1.1 kph
Gradeability		20%
Turning Radius Inside	8' 1/2"	2.5 m
Stowed Height	8' 3"	2.5 m
Width	7' 11-1/2"	2.4 m
Stowed Length	29' 1/2"	8.9 m
Wheel Base	8'	2.4 m
Tires		15 x 19.5
Type	Foam filled, 12 ply rating	
Weight (approx.)		
ATB 60	27,600 lbs	12,610 kg
*ATB 60 AL	24,600 lbs.	11,158 kg

- 6' articulated jib boom
- Fully proportional ramp-on controls for boom lift, swing and drive; rheostat control for other functions
- Rheostat control at ground for boom functions and platform level
- Automatic braking
- Foam filled tires
- Zero tailswing with boom elevated
- 180° hydraulic platform rotation
- 12 volt battery operated emergency power
- Manual bleed down valve
- Driveable at full height
- 5° tilt alarm
- 125 volt GFCI AC outlet at platform
- Hour meter and ammeter
- Engine anti-restart control
- Hydraulic oil level and temperature gauges
- High engine temperature and low oil pressure shut-down system
- Lifting/tie down lugs
- Keyed master switch
- 60 month warranty

CE

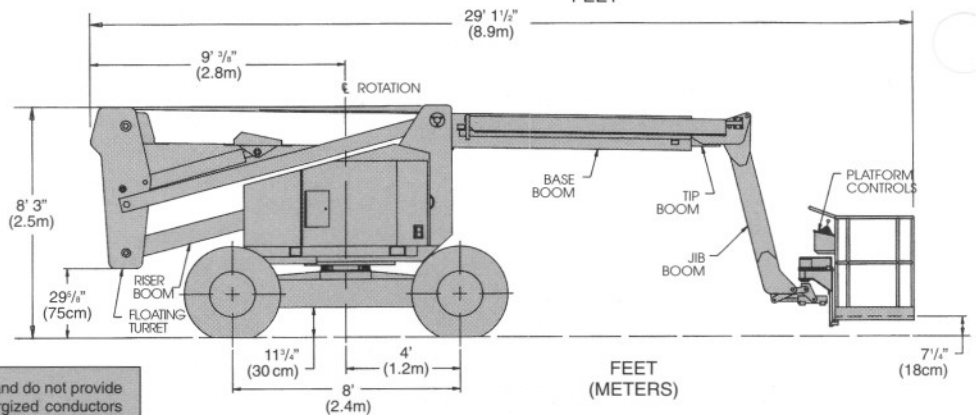
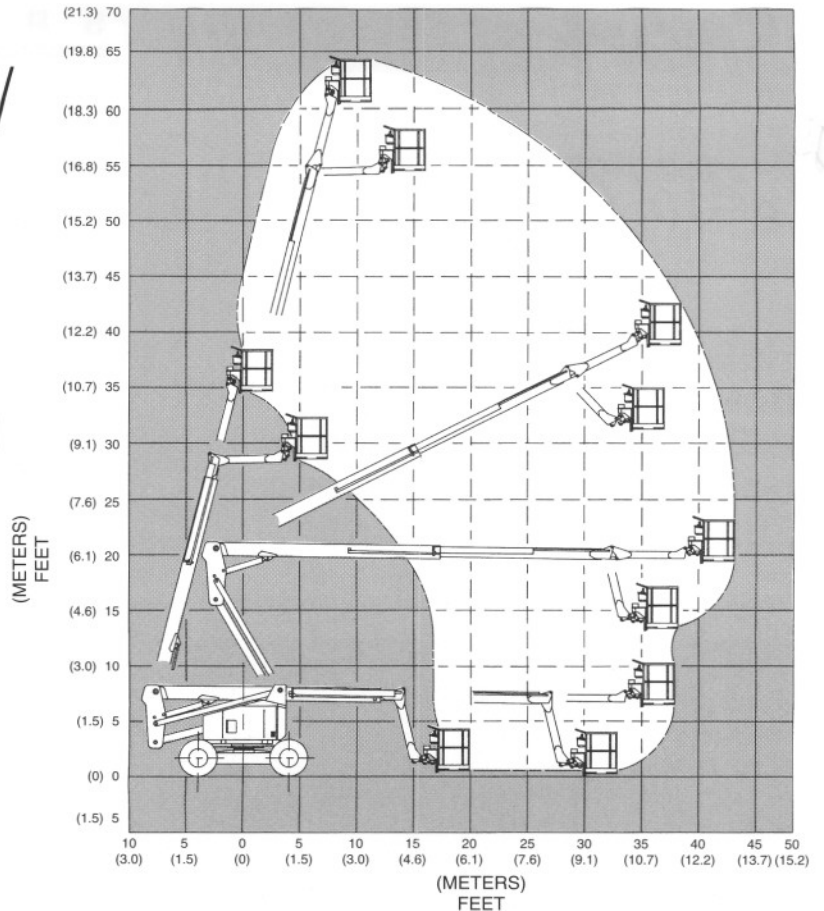
# Snorkel

## ATB 60

### Articulating, Telescoping Boom

#### Optional Equipment

- BumpGard System
- Operator horn
- Platform control box cover
- Platform work lights
- Airline to platform
- Flashing light on boom
- Swinging gate
- Sandblast protection kit
- Driving lights
- Dual fuel or LP gas only
- Spark arrestor muffler (Std. on Cummins)
- Cold weather start kit
- AC generator (hydraulic powered)
- Drive motion alarm
- Tow kit
- Four wheel drive
- Platform options
  - 60" x 30" (152 x 76 cm) Alum. (Capacity 500 lbs., 227 kg)
  - 92" x 30" (234 x 76 cm) Alum. (Capacity 500 lbs., 227 kg)



**DANGER:** Models described in this brochure are NON-INSULATED and do not provide electrocution protection from contact with or close proximity to energized conductors which is pointed out on decals and placards attached to the machine.

Only qualified and trained operators are to be authorized to use and operate a work platform.

Aerial work platforms must be elevated only on firm, level surface.

Products in this brochure comply with applicable ANSI Standards. This literature is for illustrative purposes only. Consult Operating/Maintenance and Parts Manuals for proper procedures. Specifications may vary and are subject to change without notice or obligation.



P.O. Box 1160  
St. Joseph, MO 64502-1160  
816-364-0317 • Fax: 816-364-0380

An ISO 9001 Registered Company

www.snorkelusa.com

Printed in U.S.A.  
ATB 60 9-98